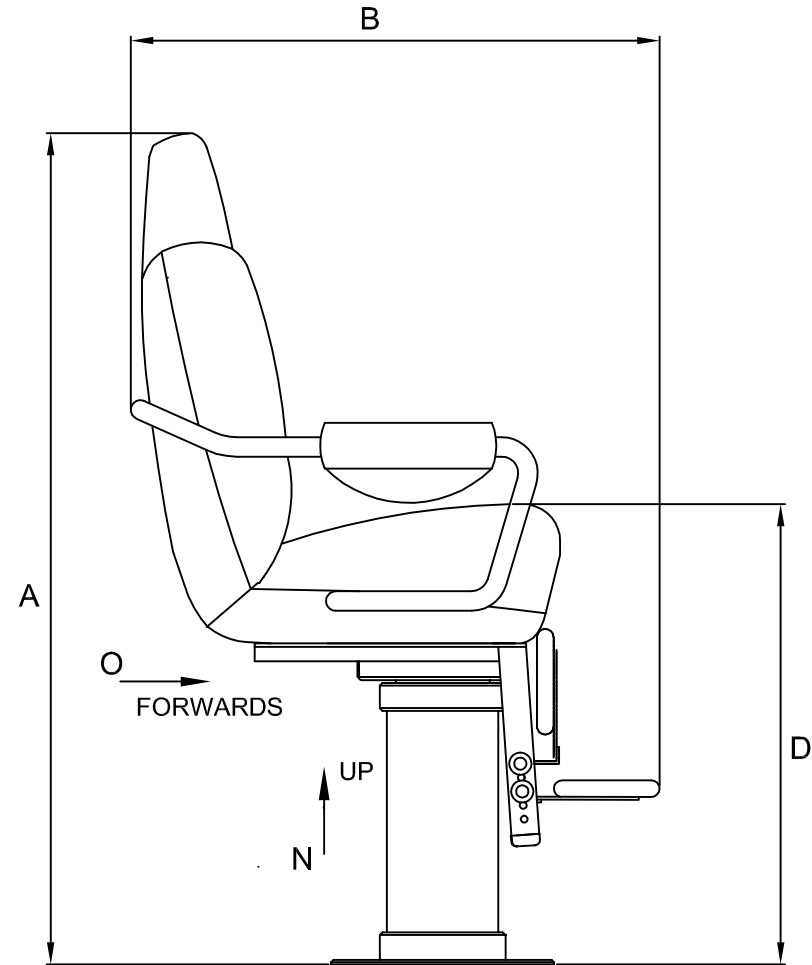
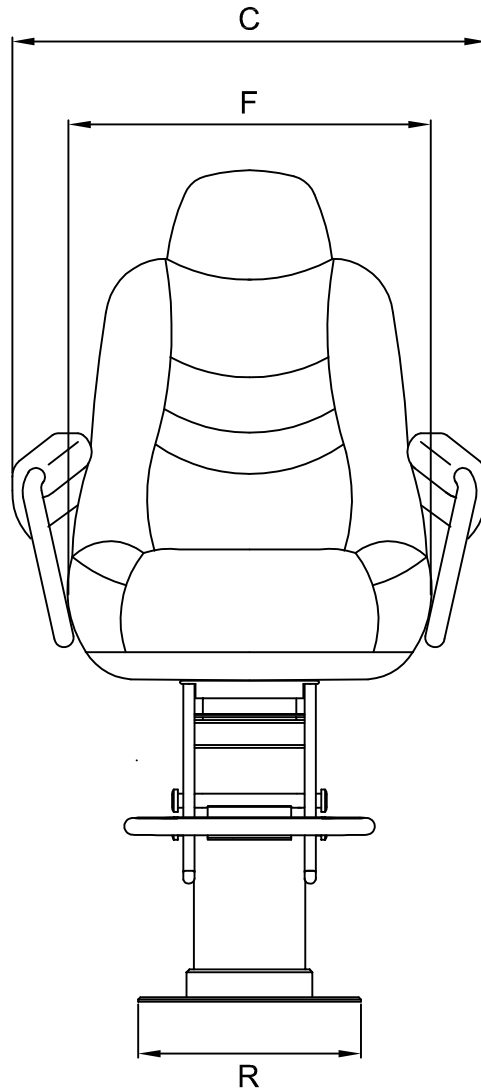


A (mm)	≈ 1500
B (mm)	≈ 950
C (mm)	850
D (mm)	830
F (mm)	650
N (mm)	250
O (mm)	160
R (mm)	∅ 400
Weight (Kg)	98



The padding could vary the sizes of few centimeters



Product

P 225 DALLAS

Automatic Helm Seat